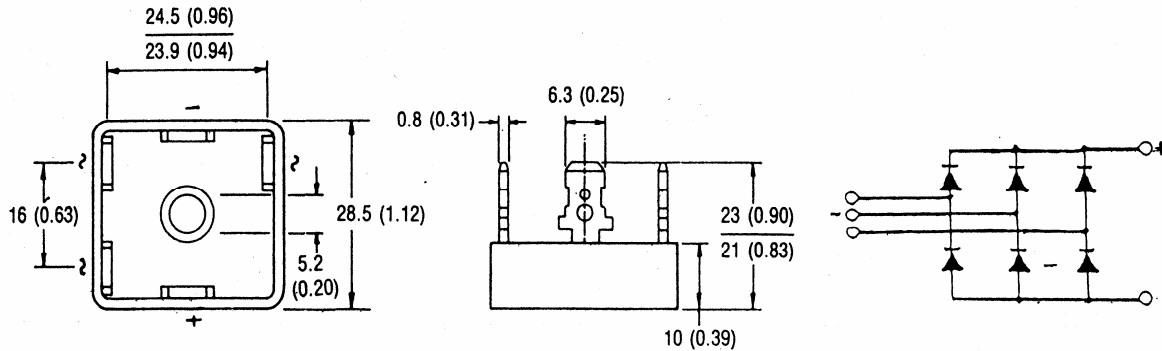


SERIES 3PB25

Three Phase 25 Amp Silicon Bridge Rectifier



PART NUMBER	3PB2505	3PB2510	3PB2520	3PB2540	3PB2560	3PB2580	3PB25100	3PB25120
PIV/LEG	50 (V)	100 (V)	200 (V)	400 (V)	600 (V)	800 (V)	1000 (V)	1200 (V)

ELECTRICAL RATINGS

MAX. DC OUTPUT CURRENT @ 60° C CASE	25 AMPS DC
MAX. PEAK SINGLE CYCLE NON-REPETITIVE FORWARD CURRENT @ 8.3 mSec	375 AMPS
MAX. FORWARD VOLTAGE DROP @ $I_f = 40$ AMPS/LEG, $T_j = 25^\circ$ C	1.26 VOLTS
MAX. $I^2 t$ FUSING ($t = 8.3$ mSec) @ $T_j = 150^\circ$ C	580 AMPS
THERMAL RESISTANCE (JUNCTION TO CASE)	1.4 K/W
MAX. JUNCTION TEMPERATURE RANGE	-40 TO +150° C
MAX. DC REVERSE CURRENT/JUNCTION @ 25° C	100 u AMPS
RMS ISOLATION VOLTAGE, TERMINAL TO BASE	2500 VOLTS

(203) 467-2591 TEL
 (203) 469-5928 FAX
 Email: Info@ edal.com
 Internet: http://www.edal.com

EDAL[®] INDUSTRIES
INC. SINCE 1958

51 Commerce St. East Haven, CT 06512